



The **Woodwaiter** hangs suspended from the floor joists or top of shaft and does not touch the floor downstairs. The unit may be mounted is several ways.

Be sure to check all Local Building Codes for Residential Elevators & Dumbwaiters.

A The **Woodwaiter** is mounted within the fireplace unit.

B. The wood box may be built around the **Woodwaiter**.

C. Single panel door for pop-up model.

D. On special request, we will remove the back of the basket to facilitate loading and unloading from front or back at each level.

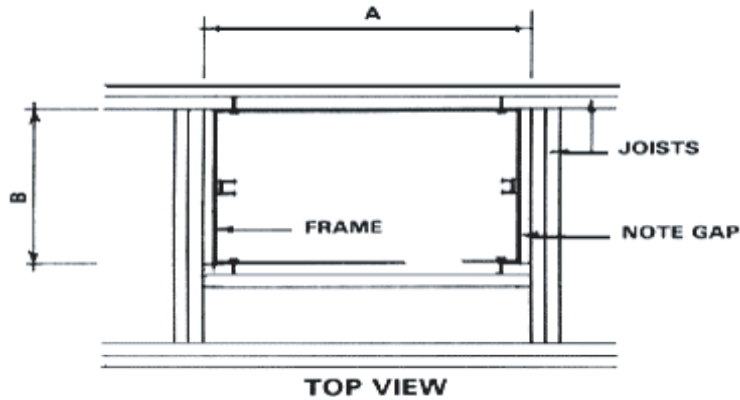
If you dislike carrying firewood up from the basement and through the house and hate cleaning up wood chips afterwards, the **Woodwaiter** is the ideal solution for you!

With its rugged construction, simple installation and built-in safety features, the **Woodwaiter** is an efficient electric unit for moving firewood from the basement to floor level.

- Moves wood, groceries or other inanimate objects from basement to floor level
  - Runs quietly
  - Is built to handle standard 16" or 24" wood
  - Is labor saving
  - Is key operated and relay controlled
  - Is locked securely when the key is removed
  - Can be set at any convenient loading height
  - Can be installed in any house with sufficient clearance
  - Has a built-in circuit breaker that will automatically stop the unit if overloaded or jammed
  - Can be installed simply by the home handyman.
  - No special tools required
  - Is shipped tested and assemble
  - The 4 sides of the wood box could be made out of sheet metal for lifting pellets or other loose materials
  - The **woodwaiter** hangs from floor joists and is not attached to the basement floor
  - CSA approved in Canada and United States
  - Warranted for 5 years.



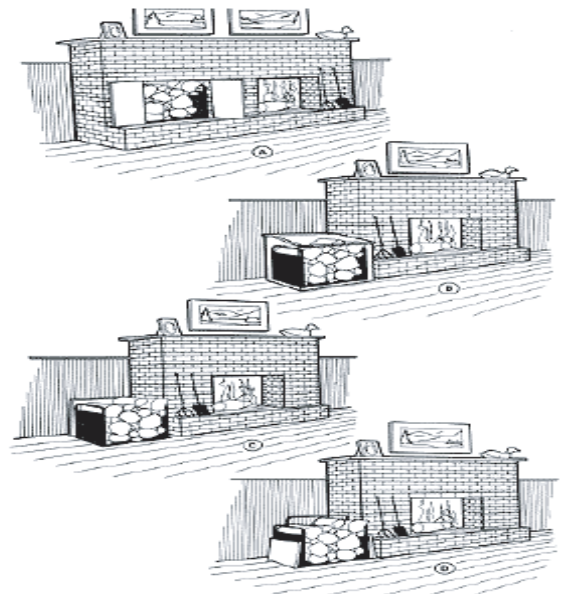
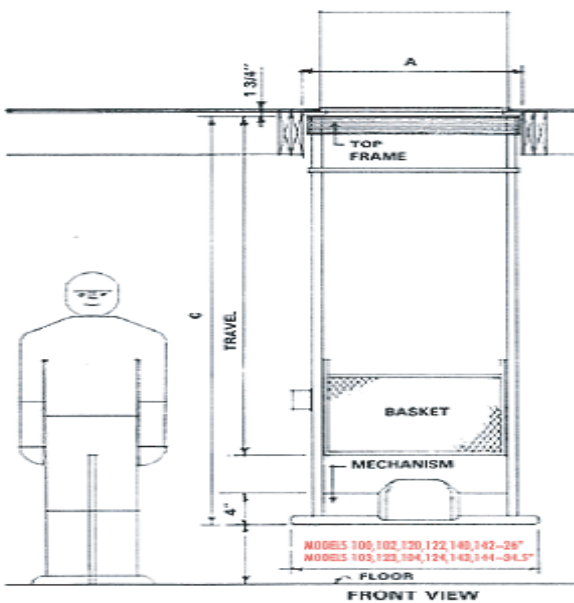
**We strongly recommend that a cover or door be used with the Woodwaiter.**



### FRAMING DIMENSIONS

Model	Basket Size	A	B	C
<b>4 1/4' Travel</b>				
100	18" w x 18" d	22+"	20"	60"
102	18" w x 26" d	22+"	28"	60"
103	26" w x 18" d	30+"	20"	60"
104	26" w x 26" d	30+"	28"	60"
<b>6 1/2' Travel</b>				
120	18" w x 18" d	22+"	20"	91"
122	18" w x 26" d	22+"	28"	91"
123	26" w x 18" d	30+"	20"	91"
124	26" w x 26" d	30+"	28"	91"
<b>8' Travel</b>				
140	18" w x 18" d	22+"	20"	109"
142	18" w x 26" d	22+"	28"	109"
143	26" w x 18" d	30+"	20"	109"
144	26" w x 26" d	30+"	28"	109"

**Note — 'B' dimension is important for snug fit**





**Universal Elevator<sup>®</sup>**

Specializing in Custom Elevators

<http://www.universalelevator.com/>

<http://www.mrlelevators.com>

452 Yacht Club Dr. P.O.Box 848 Rockwall, Texas 75087 USA  
Toll Free.1-800-547-0747. 972-722-8001 .Fax 877-810-7806

## Woodwaiter Purchase Form

Date: \_\_\_\_\_

Woodwaiter Model: \_\_\_\_\_

Cost: \_\_\_\_\_

Sales Tax: \_\_\_\_\_

Sub Total: \_\_\_\_\_

Shipping: \_\_\_\_\_

Total: \_\_\_\_\_

Terms: Payment must be received in full before shipping.

Name: \_\_\_\_\_

Address: \_\_\_\_\_

City: \_\_\_\_\_

State: \_\_\_\_\_

Zip: \_\_\_\_\_

Country: \_\_\_\_\_

Signature: \_\_\_\_\_

Sign and return via Fax or Mail to address above.